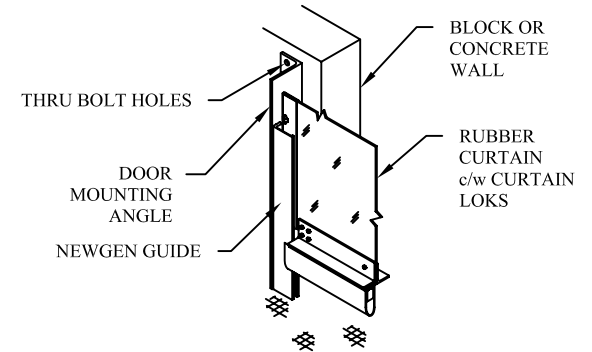


NEWGEN GUIDE AND CURTAIN LOK SYSTEM STEEL JAMB MOUNTING



NEWGEN GUIDE AND CURTAIN LOK SYSTEM CONCRETE WALL MOUNTING **

** CLEARANCE DIMENSION IS 8" FOR CONCRETE MOUNT CONFIGURATION
 *** OPTIONAL HOODS REQUIRE 10" & 16" SIDEROOM, 32" HEADROOM AND 34" OPERATOR PROTRUSION

TNR INDUSTRIAL DOORS INC.

SHOP DRAWING, MODEL HDT, LEFT HAND

MECHANICAL OPTIONS	ELECTRICAL OPTIONS	STANDARD SYSTEM INCLUDES	EXT. DETAIL: DOOR MOUNT OPERATOR & C'BAL SPRINGS	
<input type="checkbox"/> - GUIDE MOUNTED WINDBAR	<input type="checkbox"/> - RELAY LOGIC CONTROLS	- SPEEDS UP TO 30 IPS	LIMITATIONS: MAX. OPENING WIDTH 20', MAX. OPENING HEIGHT 20'	
<input type="checkbox"/> - JAMB MOUNTED WINDBAR	<input type="checkbox"/> - RELAY LOGIC c/w TIMER TO CLOSE	- NEMA 4, WALL MOUNTED CONTROL PANEL	DATE DR'N: DECEMBER 3, 2003	REVISION: D - APR. 17, 2006
<input type="checkbox"/> - 200,000 CYCLE C'BAL SPRINGS	<input type="checkbox"/> - FUSED DISCONNECT	- NEMA 4 LIMIT BOX ON OPERATOR	DRAWN BY: HOWARD MULRAIN	DRAWING No.: D-600-0003
<input type="checkbox"/> - GUIDE GUARDS	<input type="checkbox"/> - LOOP DETECTOR	- 100,000 CYCLE COUNTERBALANCE SPRINGS	ELECTRICAL CRITERIA:	
<input type="checkbox"/> - *** EXTERIOR HOODS	<input type="checkbox"/> - WIRELESS RECEIVER	- REVERSING EDGE	CONTROL PANEL NEMA/EEMAC 4 STD. OR _____	
<input type="checkbox"/> - *** SAFETY CHAIN GUARDS	<input type="checkbox"/> - WIRELESS TRANSMITTER, QTY. _____	- THRU-BEAM PHOTOEYE	PRIMARY POWER SUPPLY: _____ Volts, 3 Phase, 60 Hertz	
<input type="checkbox"/> - 16" x 16" WINDOWS, QTY. _____	<input type="checkbox"/> - N 4X, PUSHBUTTON ST'N, QTY. _____	- 5" HIGH, BLACK EPDM RUBBER LOOP	OPERATOR CRITERIA: HG, HIGH EFFICIENCY HELICAL GEAR	
<input type="checkbox"/> - ELECTRIC REVERSING EDGE	<input type="checkbox"/> - MOTION DETECTOR, QTY. _____	- KNOCK-AWAY STYLE BOTTOM BAR	LIMIT BOX NEMA/EEMAC 4 STD. OR _____	
<input type="checkbox"/> - BLUE EPDM CURTAIN	<input type="checkbox"/> - ADD. THRU-BEAM PHOTOEYE, QTY. _____	- NEWGEN GUIDE AND CURTAIN LOK SYSTEM	_____ HP, DOOR SPEED: OPEN & CLOSE @ _____ ips	
<input type="checkbox"/> - GRAY EPDM CURTAIN	<input type="checkbox"/> - ADD. REFLECTIVE PHOTOEYE, QTY. _____	- 90 MPH WINDLOAD RATING	END USER:	
<input type="checkbox"/> -	<input type="checkbox"/> -	- PROGRAMMABLE CONTROLLER	DEALER:	
<input type="checkbox"/> -	<input type="checkbox"/> -	- INTEGRATED TIMER TO CLOSE (ADJUSTABLE)	DOOR SIZE:	SERIAL No.: TNR-