



HDP

TNR COMBINES RUGGED DURABILITY WITH HIGH PERFORMANCE DRIVE SYSTEMS.

High performance **SPRINGLESS LOW HEADROOM** rubber rollup door is best suited for underground parking applications with door impact concerns • high traffic and continual vehicle flow • low maintenance costs



**High performance, high speed, high impact doors
for your challenging environments.**

visit us online at www.tnrdoors.com

HDP

HDP: HEAVY DUTY PARKING



TNR® leads the way with a **SPRINGLESS LOW HEADROOM Rubber rollup door for parking applications**

Peace of mind with maximum uptime in your fast pace, non-stop rugged workplace. Process and Maintenance Engineers recognize the value of TNR's proven indestructibility and endurance qualities combined with high speed performance. Repeat Customers are: **condos, office complex, hotels, parking garages, airports.**

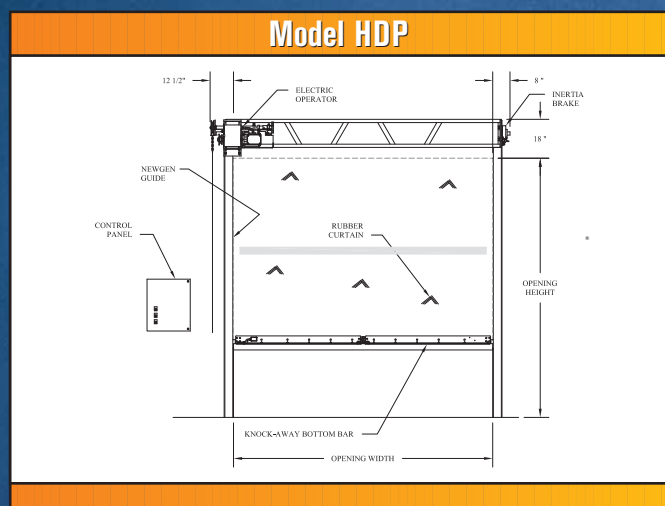
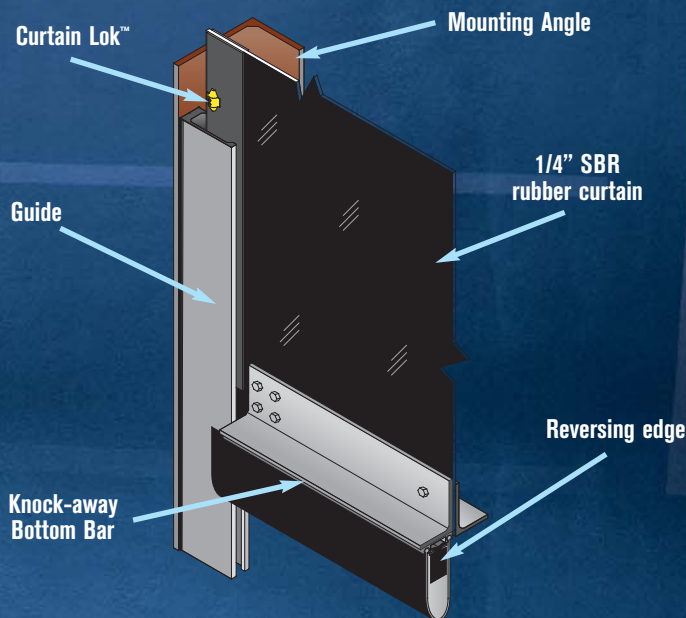
TNR® Mechanical Components

- 1/4" Black SBR rubber with polyester core weave. Flexible and resistant to abusive environments and impacts in temperatures from -40°F to +180°F
- Patented NEWGEN® guide and Curtain Lok™ system. Reliable and consistent door operation and impact release performance. No guide gap maintenance required.
- Impactable: After impact, the door is up and running in minutes
- Knock-away double angle steel bottom bar with rubber loop and reversing edge
- Sleek profile with easy installation, reduced clearances & minimal maintenance. No hinges, cables, pulleys or tension springs
- Self-supporting steel frame
- Frame mounted thru-beam photoelectric sensor.
- Options: colors, windows, hoods, traveling windbar and MSHA-rated self-extinguishing curtains

TNR® Built to your needs Drive Systems

- High Efficiency Helical Gear Head (HG) Operator with multi-function capacity PLC
- Door Speed: up to 30 inches per second
- Options: access controls and specialty functions

NEWGEN® Guide and Curtain Lok™ system



		HDP
Opening speed:	Measured inches per second	30
Door size:	See chart above	■
Clearance:	Headroom = 18"	■
Max wind resistance:	88mph (20psf)	■
Springless design:	Direct connect inertia brake mounted on the drive barrel shaft	■
Type of curtain:	1/4" Black SBR rubber with polyester core weave	■
Reversing edge:	Pressure sensitive air-wave edge	■
Control panel:	PLC and Inverter Drive soft start, soft stop	■
Activation:	Remotes, pull cords, loop detectors, etc.	■
Self Supporting Steel Frame:	Steel Mounting Angle	■
Warranty:	Two years on parts and workmanship. Limited lifetime warranty on curtain and NEWGEN® Guide.	■