



HDL/HDXL

TNR OFFERS RUGGED DURABILITY AND HIGH PERFORMANCE DRIVE SYSTEMS FOR LARGE DOOR SIZES.

- These TNR rubber roll-up door models are best suited for industrial and commercial applications with:
- harsh environments of dirt, dust, temperature, rain and snow
 - high pressure and windload
 - door impact concerns
 - sized for large equipment access



**High performance, high speed, high impact doors
for your challenging environments.**

visit us online at www.tnrdoors.com

HDL/HDXL

HDL: HEAVY DUTY LARGE HDXL: HEAVY DUTY EXTRA LARGE

TNR® leads the way with High Performance, Rugged Roll-up Doors for large openings

Big equipment needs big access openings. TNR's rubber doors go beyond 40 feet in width and up to 35 feet in height and are virtually indestructible. TNR® has the Engineering and Field Experience that assures the "Built To Your Needs" attention delivering peace of mind in applications of: **heavy manufacturing, steel, pulp & paper, waste management, oil & gas and mining.**

TNR® Mechanical Components

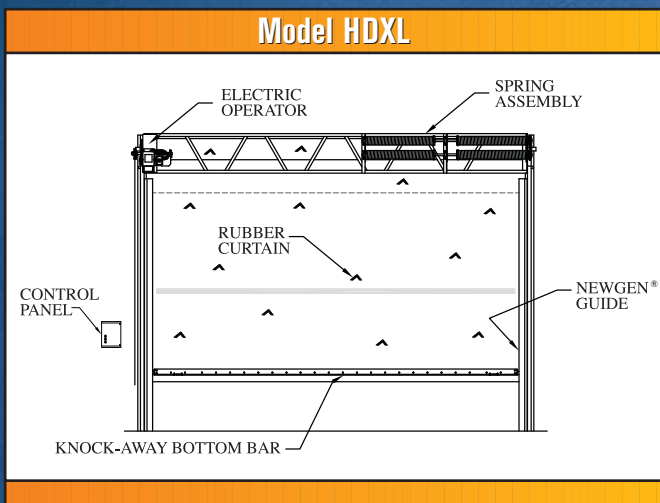
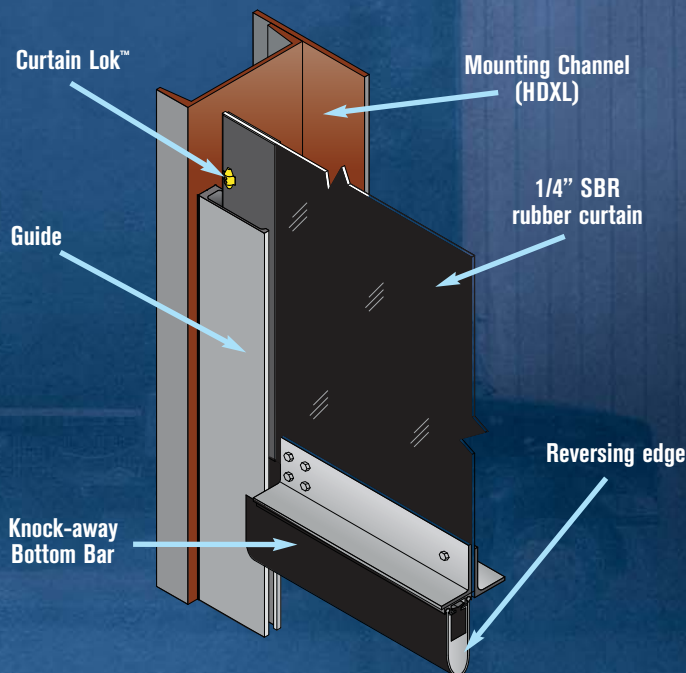
- 1/4" Black SBR rubber with polyester core weave. Flexible and resistant to abusive environments and impacts in temperatures from -40°F to +180°F
- Patented NEWGEN® guide and Curtain Lok™ system. Reliable and consistent door operation and impact release performance. No guide gap maintenance required.
- Impactable: After impact, the door is up and running in minutes
- Knock-away double angle steel bottom bar with rubber loop and reversing edge
- Sleek profile with easy installation, reduced clearances & minimal maintenance. No hinges, cables, pulleys or tension springs
- Self-supporting steel frame
- Frame mounted thru-beam photoelectric sensor.
- Options: colors, windows, hoods, traveling windbar and MSHA-rated self-extinguishing curtains

TNR® Built to your needs Drive Systems

- High Efficiency Helical Gear Head (HG) Operator with multi-function capacity PLC Control Panel.
- Door Speed: up to 20 inches per second (HDL)
- Options: access controls and specialty functions.



NEWGEN® Guide and Curtain Lok™ system



		HDL	HDXL
Opening speed:	Up to 20 inches per second	■	■
Door size:	See chart above	■	■
Max wind resistance:	88mph (20psf)	■	■
Type of balancing:	Counterbalance spring assembly cycle rating (.000)	50	50
Type of curtain:	1/4" Black SBR rubber with polyester core weave	■	■
Reversing edge:	Pressure sensitive air-wave edge	■	■
Control panel:	PLC or relay logic	■	■
Activation:	Remotes, pull cords, loop detectors, etc.	■	■
Self Supporting Steel Frame:	Steel Mounting Angle	■	■
	Channel Steel C10 & flatbar mounting assembly.		■
Warranty:	Two years on parts and workmanship; Limited lifetime warranty on curtain and NEWGEN® Guide.	■	■